

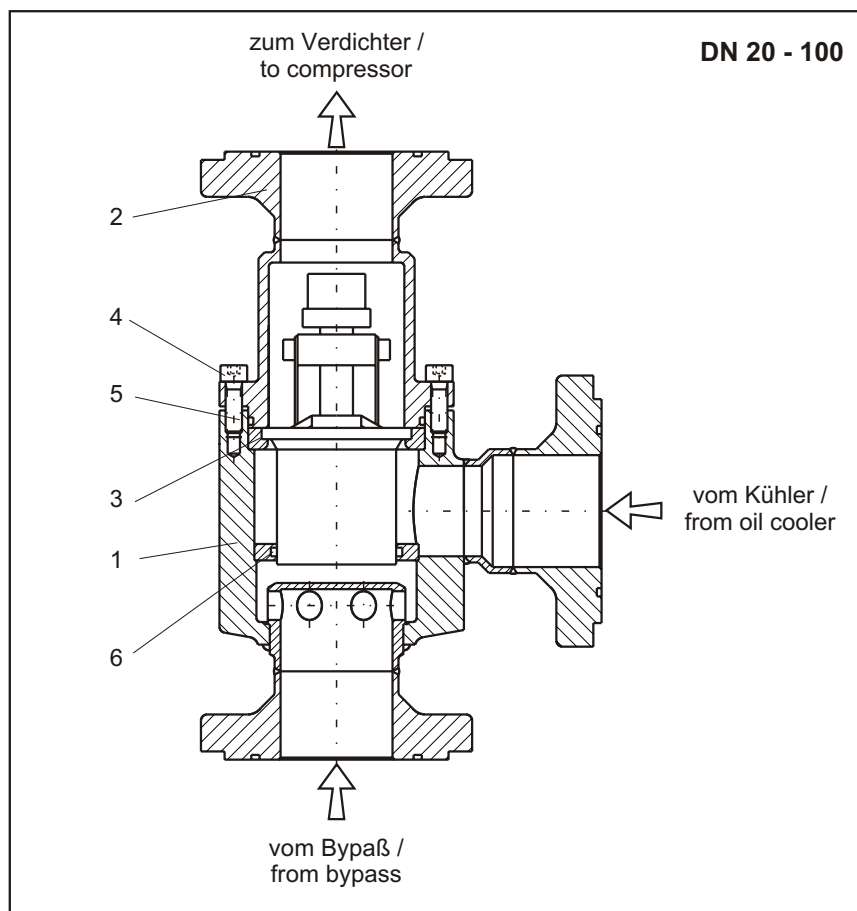
Temperaturregler

TR

thermostatic 3-way valve

TS [°C]	- 60	- 10	+ 50	+ 150
PS [bar]	18,7	25	25	25
PS [bar]	30	40	40	40

Eckform / angle type



Pos.	Teil / part		Material
1	Gehäuse	body	1.0460 / 1.0305 / 1.4301
2	Flansch	flange	1.0460 / 1.4541
3	Ring	ring	1.0038
4	Schrauben	screws	8.8; A2-70
5	O-Ring	O-ring	Neopren
6	Flachdichtring	flat sealing ring	PTFE (Teflon)

TR **Temperaturregler** **thermostatic 3 - way -valve**

TR E AE

E - Eckform / angle type
AE - Anschweißenden / butt welding ends

TR E FL

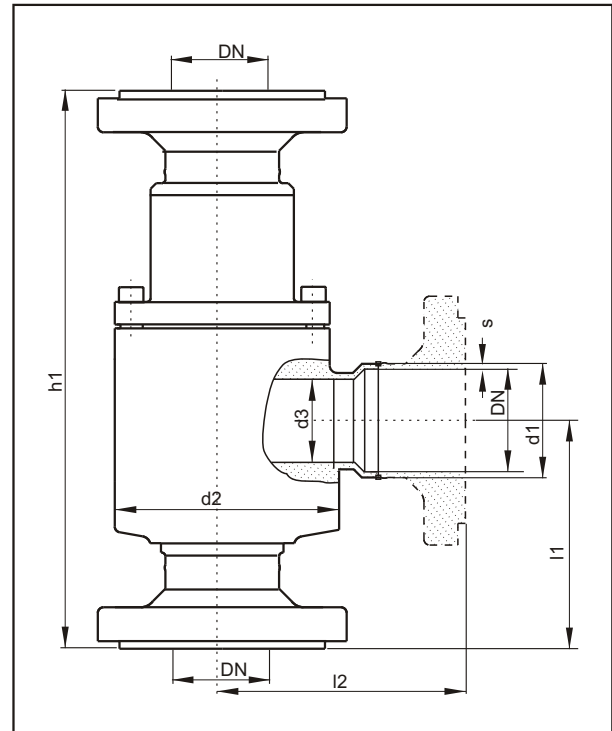
E - Eckform / angle type
FL - Flanschanschluß / flange connection

TR E SE

E - Eckform / angle type
SE - Gewindeanschluß / screwed ends

TR E LE

E - Eckform / angle type
LE - Lötenden / solder end



Anschlußkombinationen möglich - auf Anfrage
connection combinations available - on request

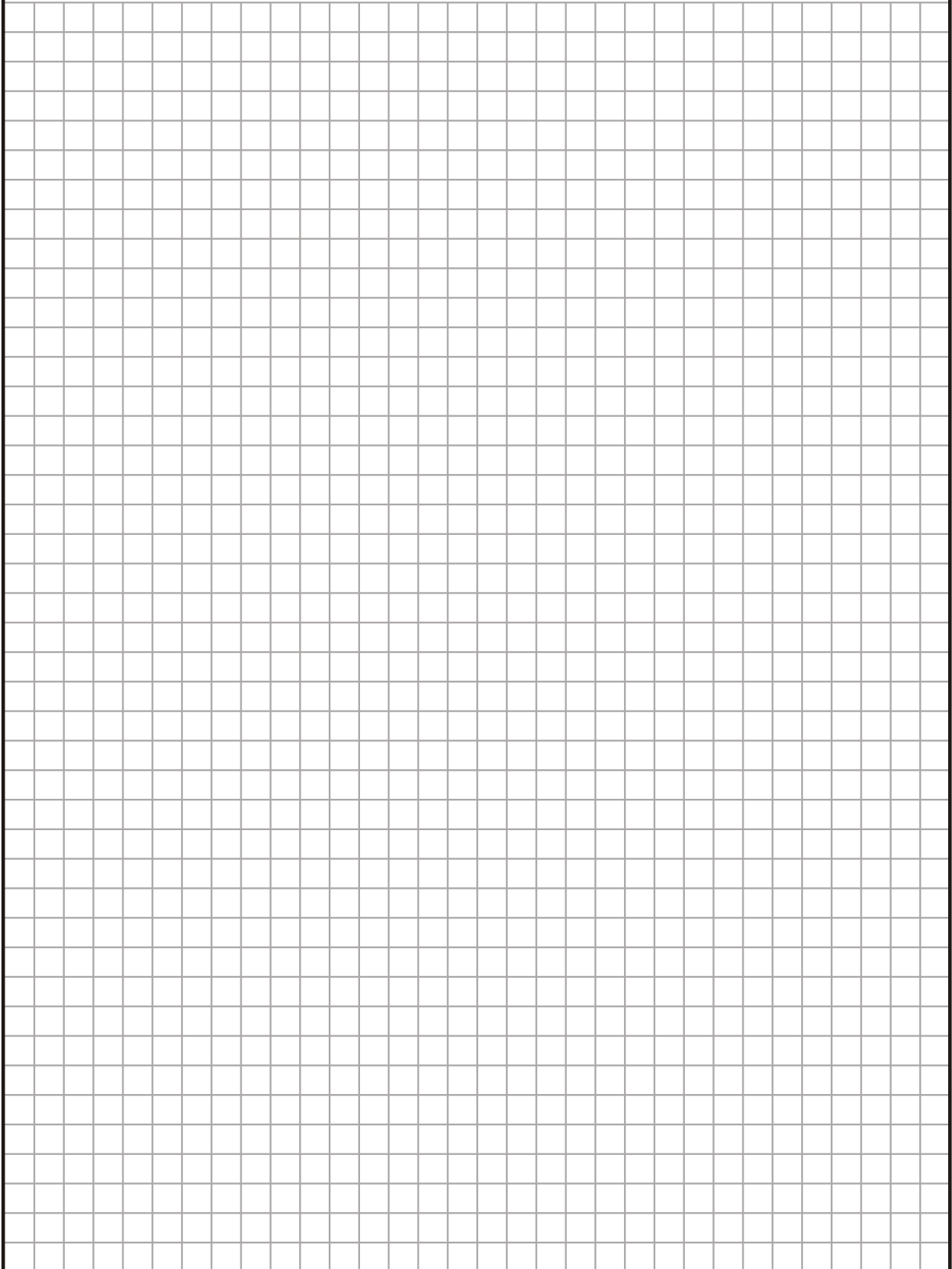
Einbaulängen / lengths in mm :

DN	Anschweißenden/ butt welding ends				l1	l2	h1	d2	d3
	Reihe 1 / range 1		ANSI Sched 40						
	d1	s	d1	s					
20	26,9	2,3	26,7	2,9	100,0	107,0	221,5	96	23,0
25	33,7	2,6	33,4	3,4	100,0	107,0	221,5	96	29,0
32	42,4	2,6	42,2	3,6	110,0	116,0	233,5	96	34,0
40	48,3	2,6	48,3	3,7	113,0	121,0	239,5	96	34,0
50	60,3	2,9	60,3	3,9	127,0	136,0	308,5	114	44,0
65	76,1	2,9	73,0	5,2	143,0	188,0	344,0	167	71,0
80	88,9	3,2	88,9	5,5	158,0	196,0	371,0	167	83,5
100	114,3	3,6	114,3	6,0	197,5	279,5	450,0	243	109,0

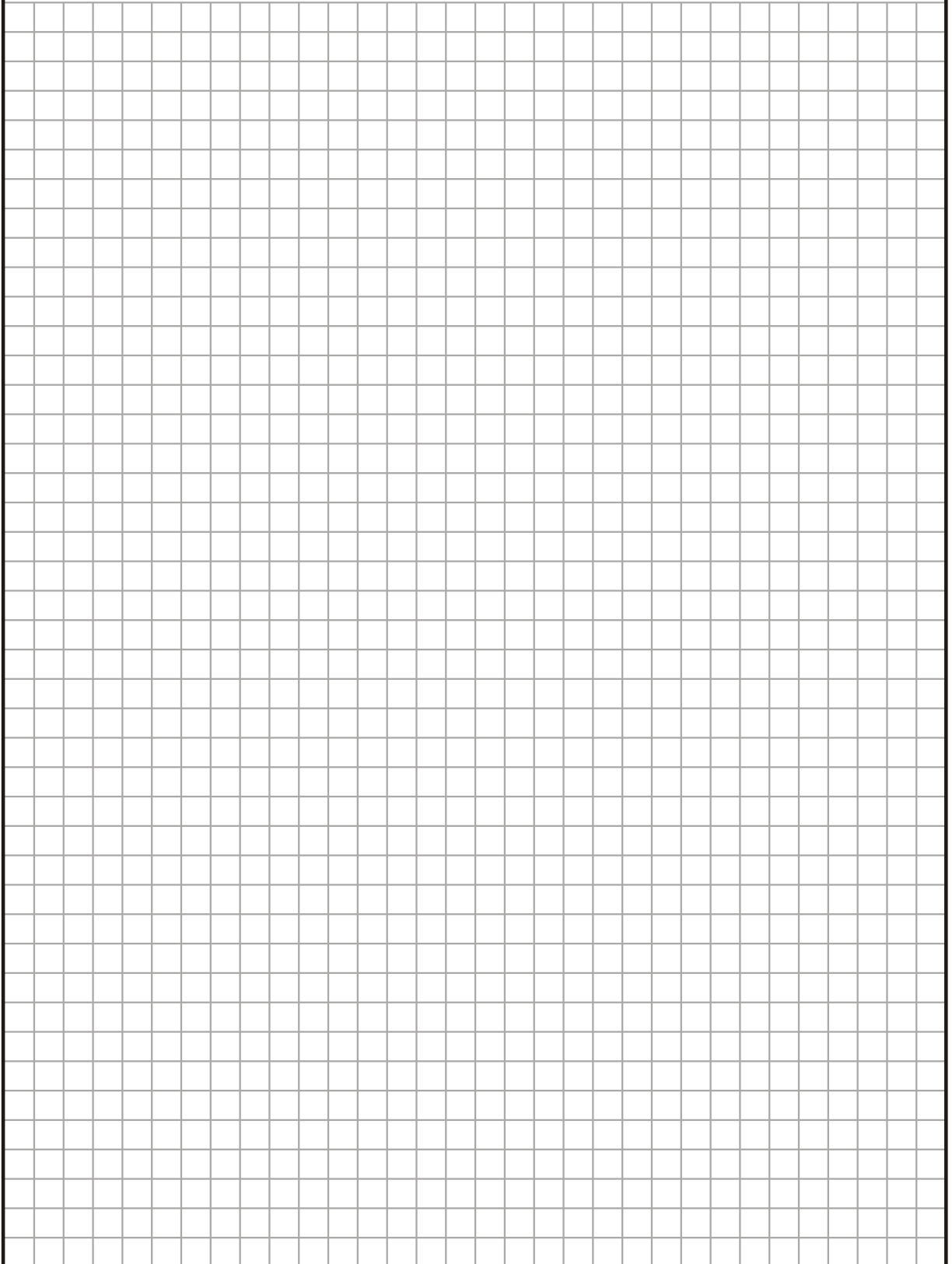
Varianten / variants :

DN	Werkstoff material	Ausführung / design	Anschweißenden / butt welding ends	Flansch / flange	Lötenden / solder ends
20 50 25 65 32 80 40 100	1.0460 1.0305 1.4301	Freone Ammonia	Reihe 1 / range 1 ANSI Schedule 40	DIN ANSI	DIN ANSI

Notizen / notice

A large rectangular area filled with a fine grid of small squares, intended for taking notes or drawing. The grid covers most of the page below the header.

Notizen / notice

A large rectangular area filled with a fine grid of small squares, intended for taking notes or drawing. The grid covers most of the page below the header.